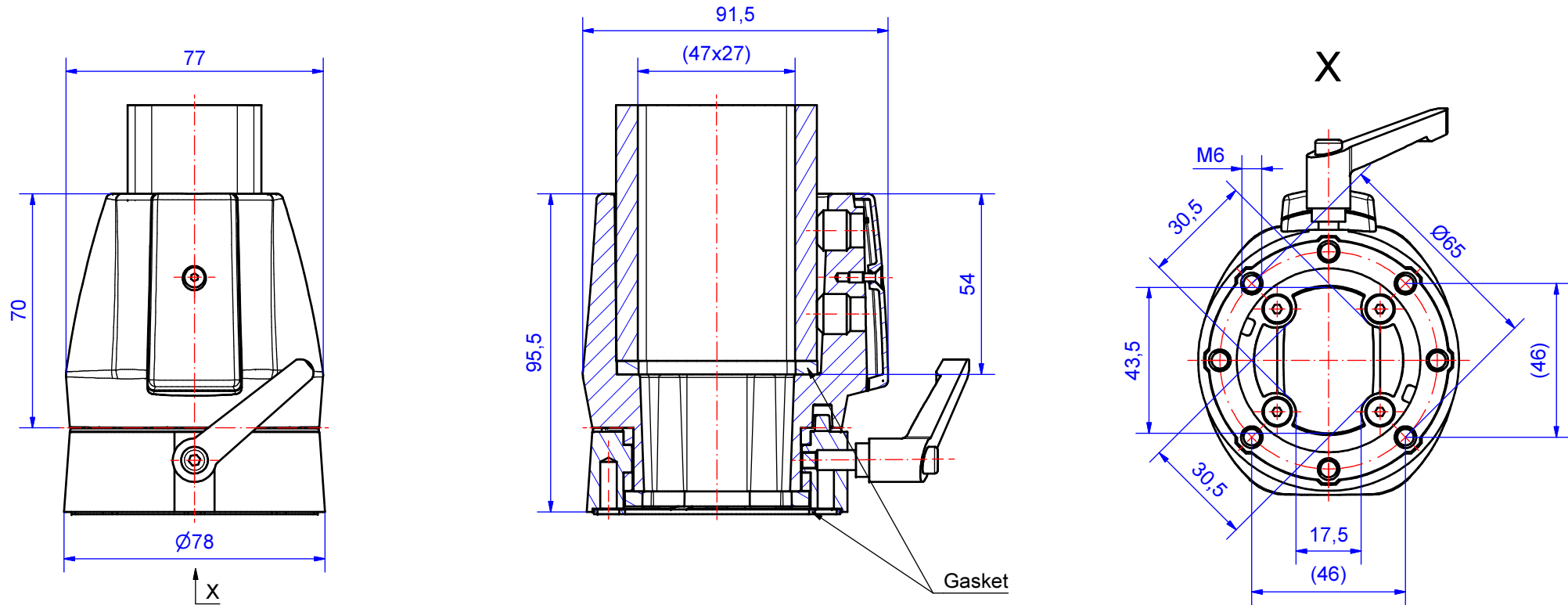


Suspension-System taraSMART

Type: Coupling profile

Material-No.: 141.025.000



Suspension system material	Die-cast aluminium		Bending range	max. 310°
Gasket	Chloroprene (CR), black		Weight	720 g
Mounting screws	2x M12, galvanized steel		Surface	Powder coating RAL 7035, light grey
Ingress protection	IP54 EN 60529		Tolerance	DIN EN ISO 8062-3 DCTG5 (outside dimensions ±0,8mm)
Covers	Thermoplastic/ RAL 7016			