

Product line

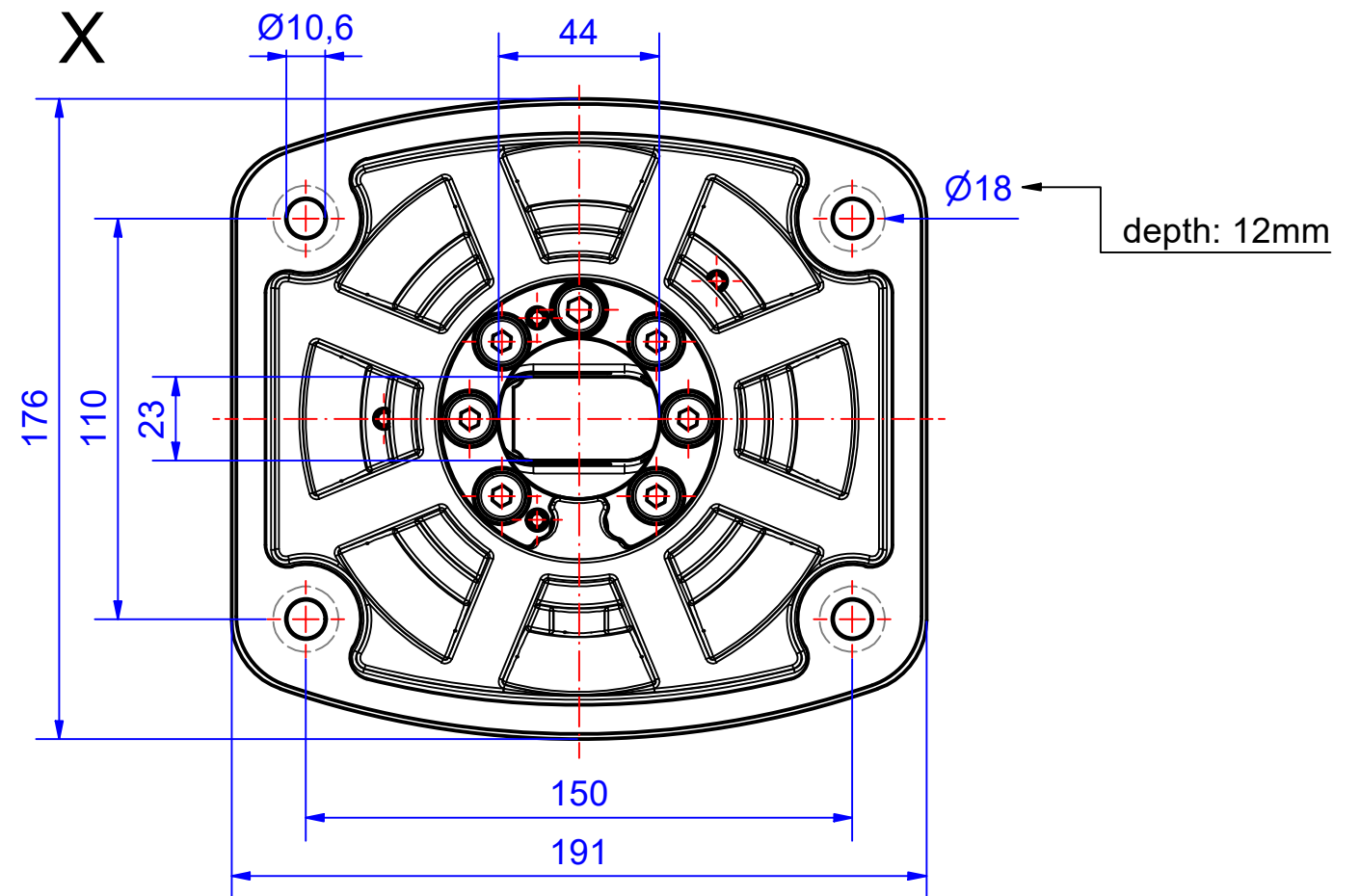
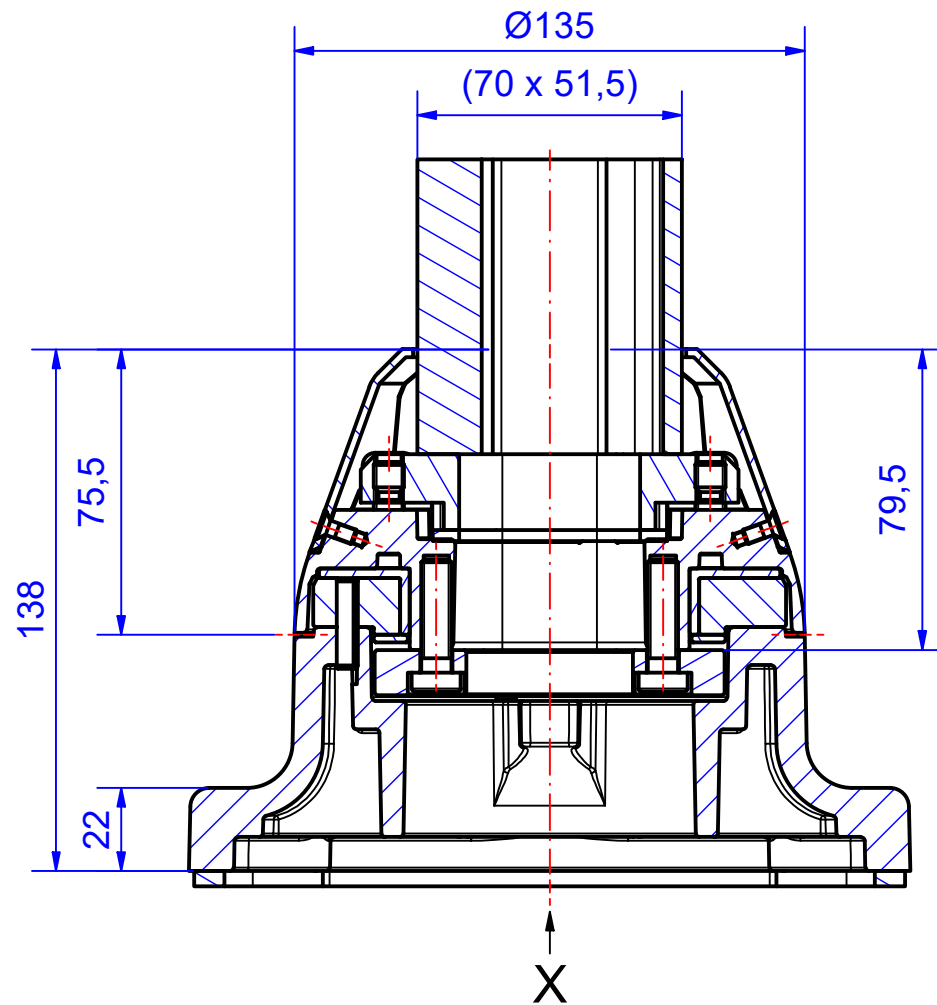
profiPLUS 50

Type:

Socket joint, vertical

Part-No.:

142.005.001



(the illustrated profile is not included in the scope of delivery)

Suspension system material	GD-Al Si 12		Pivoting range	304°
Gasket	2x Chloroprene (CR)		Weight (g)	4.100
Mounting screws	M8 (4x)		Surface	Powder coating RAL 7035
Ingress protection	IP54 EN 60529			

technical changes subjected